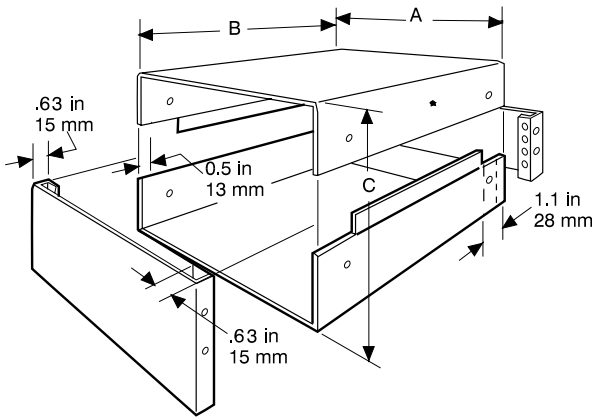
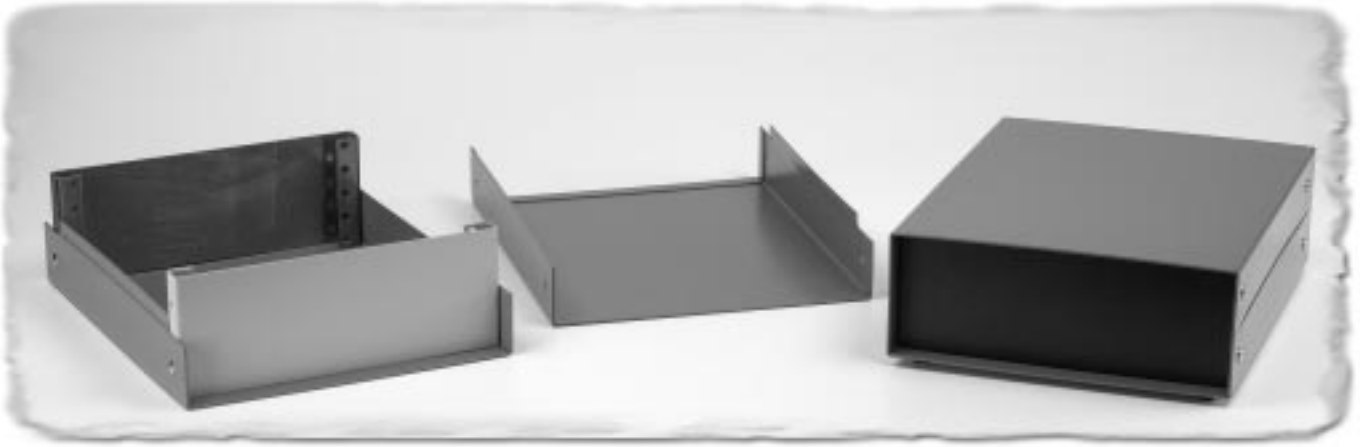


Instrument Case (1458 Series)



KEY FEATURES

- 18 gauge steel case with black or gulf blue satin finish.
- Easy to machine 0.064" (1.6 mm) thick aluminum panels front and rear panels (one satin black and one contemporanea grey for each case).
- Symmetrical design - end panels are interchangeable.
- 6-32 Philips nickel plated screws and self-adhesive rubber feet included.
- Replacement screws **1421J6** (Pkg. of 6, 6-32 Philips head screws).

Part Number		Units	Dimensions		
Satin Black	Satin Blue		A	B	C
1458A3	1458A3B	inch mm	4 101	4 101	3 76.2
1458B4	1458B4B	inch mm	6 152	4 101	4 101
1458C3	1458C3B	inch mm	6 152	6 152	3 76.2
1458C4	1458C4B	inch mm	6 152	6 152	4 101
1458D3	1458D3B	inch mm	8 203	8 203	3 76.2
1458D4	1458D4B	inch mm	8 203	8 203	4 101
1458D5	1458D5B	inch mm	8 203	8 203	5 127
1458E3	1458E3B	inch mm	8 203	10 254	3 76.2
1458E4	1458E4B	inch mm	8 203	10 254	4 101
1458E5	1458E5B	inch mm	8 203	10 254	5 127
1458G3	1458G3B	inch mm	10 254	8 203	3 76.2
1458G4	1458G4B	inch mm	10 254	8 203	4 101
1458G5	1458G5B	inch mm	10 254	8 203	5 127

Metal